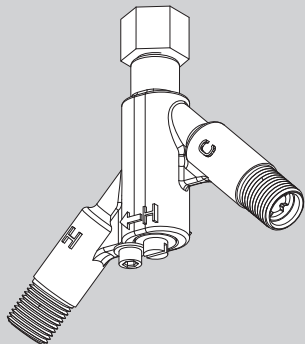


## INSTRUCTIONS FOR MODELS

### A-UCM



#### NEED HELP?

For additional assistance or service please contact:

#### SPEAKMAN®

800-537-2107

customerservice@speakman.com

www.speakman.com

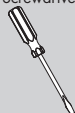
92-A-UCM-01

## TOOLS AND SUPPLIES

Adjustable  
Wrench



Flat Tip  
Screwdriver



### IMPORTANT



- Do not over-tighten any connections or damage may occur.
- Be sure to read instructions thoroughly before beginning installation.

#### SAFETY TIPS

Cover your drain to prevent loss of parts. Be sure to wear eye protection while cutting pipe.

#### MAINTENANCE

Your new Speakman Product is designed for years of trouble-free performance. Keep it looking new by cleaning it periodically with a soft cloth. The use of harsh chemicals and abrasives on any of the Speakman custom finish products may damage the finish and void the product warranty. Please be sure to only use approved cleaners. Please contact Speakman for any clarification of acceptable cleaners.

#### WARRANTY

Warranty information can be found at:  
www.speakman.com

1

- Make water connections between the Shut Off Valves and the Under Counter Mixer (UCM). Ensure that the COLD supply hose is connected to the "C" port on the UCM, and the HOT supply hose is connected to the "H" port.
  - Connect the outlet of the UCM to the inlet of the Faucet.
- NOTE:** 3/8" Compression style hoses, connectors and adapters (not included). Wrench-tighten connections. Take care to not over tighten connections or damage may occur.

**HOT**  
9/16-24 UNEF  
(3/8" Compression)

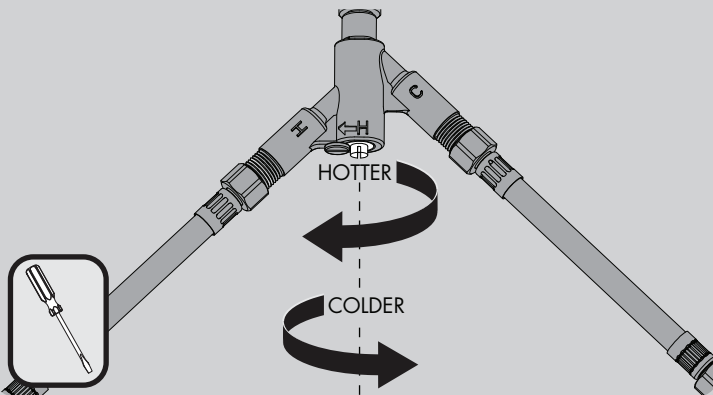
**COLD**  
9/16-24 UNEF  
(3/8" Compression)



DRY CONNECTION ONLY. **DO NOT USE** ANY SEALANT ON THIS CONNECTION.

2

Turn on water supplies and check for leaks. Allow Faucet to run for 1 minute to flush out any debris. Adjust the outlet water temperature by rotating the adjustment screw on the Under Counter Mixer (UCM).



**NOTE:** If the temperature is still too cold after adjustment, switch the HOT and COLD lines on the mixer.